

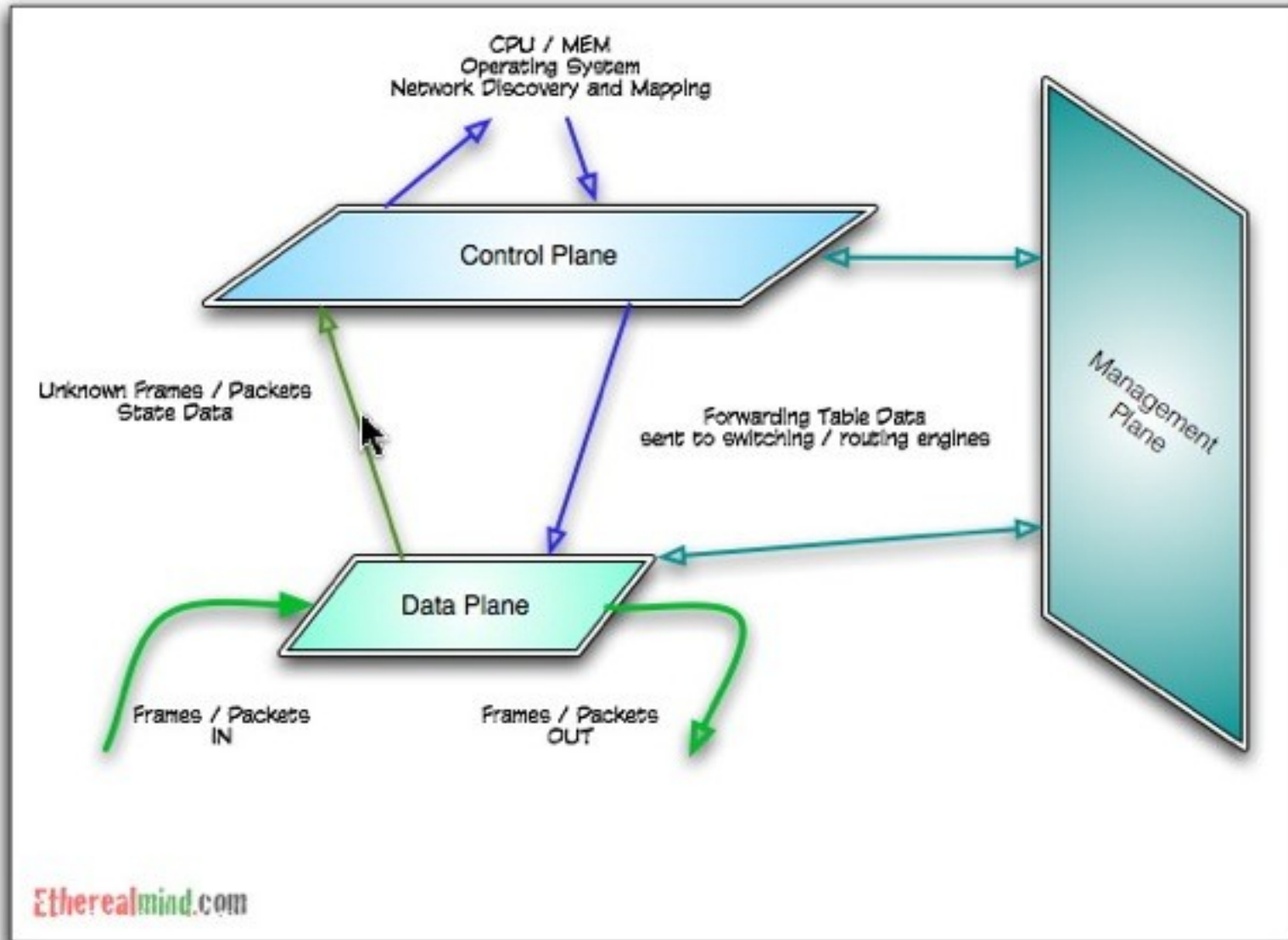
# Pipeline Planes

**Mauro Carvalho Chehab**  
**Linux Kernel Expert**  
**Samsung Open Source Group**

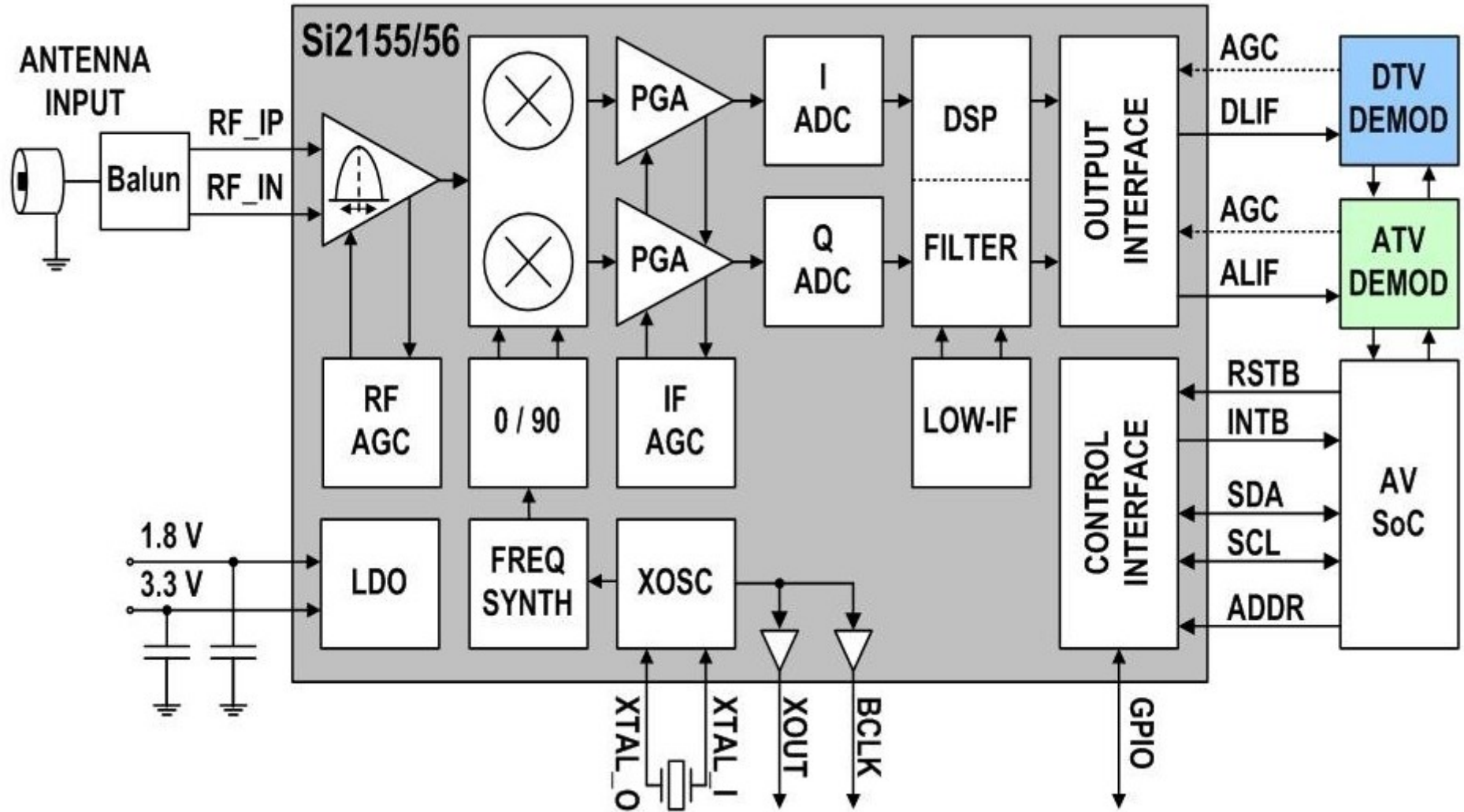
Aug 12, 2015

# Network planes (ITU-T G.800 series)

ITU SERIES G: TRANSMISSION SYSTEMS AND MEDIA, DIGITAL SYSTEMS AND NETWORKS



# Complete chipset diagrams



## [RFC 1/2] media: add support for control entities/links/pads at MC

---

- Changes include `media/media-entity.h` (and MC functions to “color” the plane):

```
enum media_plane {
+   MEDIA_ENT_P_DATA = 0,
+   MEDIA_ENT_P_CONTROL,
+   MEDIA_ENT_P_CONTROL_DATA
+};
+
struct media_link {
    struct media_pad *source; /* Source pad */
    struct media_pad *sink; /* Sink pad */
    struct media_link *reverse; /* Link in the reverse direction */
    unsigned long flags; /* Link flags (MEDIA_LNK_FL_*) */
+
+   enum media_plane plane; /* Link is data and or control */
};
```

- Same change for `struct media_pad` and `struct media_entity`.
- Multiple plane (`MEDIA_ENT_P_CONTROL_DATA`) only allowed for entities
- Current ioctls will show only the data plane

# Thank you.

# Questions?